

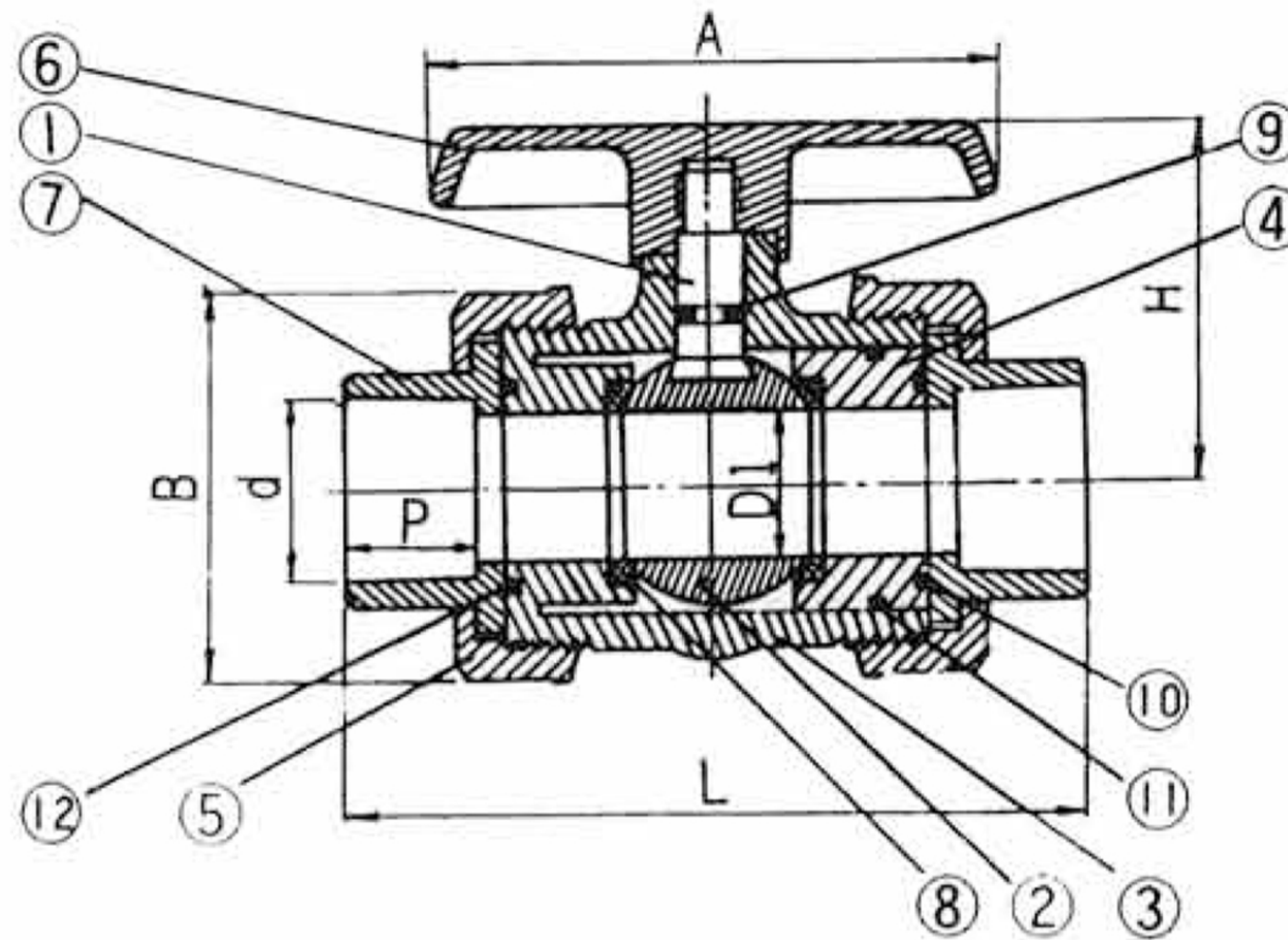


# TRUE UNION (DOUBLE UNION) BALL VALVE

TYPE: SOCKET CD100/THREAD CD200



NSF 14/NSF 61



SOCKET & SCREW TYPE

## MATERIALS OF CONSTRUCTION

| Item | Parts        | Pcs | Materials         | Item | Parts               | Pcs | Materials         |
|------|--------------|-----|-------------------|------|---------------------|-----|-------------------|
| ①    | Stem         | 1   | UPVC,PP,CPVC,PVDF | ⑧    | Seat                | 2   | PTFE              |
| ②    | Ball         | 1   | UPVC,PP,CPVC,PVDF | ⑨    | Stem O-ring         | 1   | EPDM,VITON        |
| ③    | Body         | 1   | UPVC,PP,CPVC,PVDF | ⑩    | seat Carrier O-ring | 1   | EPDM,VITON        |
| ④    | Seat Carrier | 1   | UPVC,PP,CPVC,PVDF | ⑪    | Body O-ring         | 1   | EPDM,VITON        |
| ⑤    | Union Nut    | 2   | UPVC,PP,CPVC,PVDF | ⑫    | Solid End O-ring    | 1   | EPDM,VITON        |
| ⑥    | Handle       | 1   | ABS               | ⑬    | Flange              | 2   | UPVC,PP,CPVC,PVDF |
| ⑦    | Connector    | 2   | UPVC,PP,CPVC,PVDF |      |                     |     |                   |





## DIMENSIONS TABLE

| JIS                 |                |                |                |        |         |    |   |      |        |        |     |    |     | Unit:mm |                                   |
|---------------------|----------------|----------------|----------------|--------|---------|----|---|------|--------|--------|-----|----|-----|---------|-----------------------------------|
| Nom Size<br>DN-inch | D <sub>1</sub> | D <sub>2</sub> | D <sub>3</sub> | d      |         | φe | n | p    | L      |        | A   | T  | H   | B       | Test Press<br>kgf/cm <sup>2</sup> |
|                     |                |                |                | Socket | Thread  |    |   |      | Socket | Thread |     |    |     |         |                                   |
| 15(1/2")            | 15             | 70             | 95             | 20     | PT1/2   | 15 | 4 | 22.2 | 118    | 109    | 82  | 15 | 47  | 46      | 15                                |
| 20(3/4")            | 19             | 75             | 100            | 26     | PT3/4   | 15 | 4 | 25.4 | 131    | 131    | 101 | 15 | 64  | 61      | 15                                |
| 25(1")              | 25             | 90             | 125            | 32     | PT1     | 19 | 4 | 28.6 | 148    | 143    | 111 | 17 | 67  | 67      | 15                                |
| 32(1-1/4")          | 38             | 100            | 135            | 38     | PT1 1/4 | 19 | 4 | 31.8 | 186    | 186    | 126 | 17 | 83  | 96      | 15                                |
| 40(1-1/2")          | 38             | 105            | 140            | 48     | PT1 1/2 | 19 | 4 | 34.9 | 186    | 186    | 126 | 17 | 83  | 96      | 15                                |
| 50(2")              | 50             | 120            | 155            | 60     | PT2     | 19 | 4 | 38.1 | 197    | 197    | 152 | 20 | 102 | 113     | 15                                |
| 65(2-1/2")          | 65             | 140            | 175            | 76     | PT2 1/2 | 19 | 4 | 44.5 | 224    | 224    | 190 | 20 | 140 | 150     | 10                                |
| 80(3")              | 78             | 150            | 185            | 89     | PT3     | 19 | 8 | 47.6 | 276    | 276    | 230 | 20 | 165 | 184     | 10                                |
| 100(4")             | 85             | 175            | 210            | 114    | PT4     | 19 | 8 | 57.2 | 362    | 362    | 274 | 22 | 172 | 199     | 10                                |

| ANSI                |                |                |                |        |          |       |   |       |        |        |        |       |       | Unit:inch |                                  |
|---------------------|----------------|----------------|----------------|--------|----------|-------|---|-------|--------|--------|--------|-------|-------|-----------|----------------------------------|
| Nom Size<br>DN-inch | D <sub>1</sub> | D <sub>2</sub> | D <sub>3</sub> | d      |          | φe    | n | p     | L      |        | A      | T     | H     | B         | Test Press<br>lb/in <sup>2</sup> |
|                     |                |                |                | Socket | Thread   |       |   |       | Socket | Thread |        |       |       |           |                                  |
| 15(1/2")            | 0.591          | 2.375          | 3.500          | 0.840  | NPT1/2   | 0.625 | 4 | 0.875 | 4.646  | 4.291  | 3.228  | 0.590 | 1.850 | 1.811     | 222                              |
| 20(3/4")            | 0.748          | 2.750          | 3.875          | 1.050  | NPT3/4   | 0.625 | 4 | 1.000 | 5.157  | 5.157  | 3.976  | 0.590 | 2.520 | 2.402     | 222                              |
| 25(1")              | 0.984          | 3.125          | 4.250          | 1.315  | NPT1     | 0.625 | 4 | 1.125 | 5.287  | 5.630  | 4.370  | 0.669 | 2.638 | 2.638     | 222                              |
| 32(1-1/4")          | 1.496          | 3.500          | 4.625          | 1.660  | NPT1 1/4 | 0.625 | 4 | 1.250 | 7.320  | 7.320  | 4.961  | 0.669 | 3.268 | 3.780     | 222                              |
| 40(1-1/2")          | 1.496          | 3.875          | 5.000          | 1.900  | NPT1 1/2 | 0.625 | 4 | 1.375 | 7.320  | 7.320  | 4.961  | 0.669 | 3.268 | 3.780     | 222                              |
| 50(2")              | 1.969          | 4.750          | 6.000          | 2.375  | NPT2     | 0.750 | 4 | 1.500 | 7.756  | 7.756  | 5.984  | 0.787 | 4.016 | 4.449     | 222                              |
| 65(2-1/2")          | 2.559          | 5.500          | 7.000          | 2.875  | NPT2 1/2 | 0.750 | 4 | 1.750 | 8.622  | 7.520  | 7.480  | 0.787 | 5.512 | 5.905     | 148                              |
| 80(3")              | 3.071          | 6.000          | 7.500          | 3.500  | NPT3     | 0.750 | 4 | 1.875 | 11.063 | 9.449  | 9.055  | 0.787 | 6.496 | 7.244     | 148                              |
| 100(4")             | 3.346          | 7.500          | 9.000          | 4.500  | NPT4     | 0.750 | 8 | 2.250 | 14.252 | 14.252 | 10.787 | 0.866 | 6.772 | 7.835     | 148                              |

| DIN                 |                |                |                |        |        |    |   |      |        |        |     |    |     | Unit:mm |                                   |
|---------------------|----------------|----------------|----------------|--------|--------|----|---|------|--------|--------|-----|----|-----|---------|-----------------------------------|
| Nom Size<br>DN-inch | D <sub>1</sub> | D <sub>2</sub> | D <sub>3</sub> | d      |        | φe | n | p    | L      |        | A   | T  | H   | B       | Test Press<br>kgf/cm <sup>2</sup> |
|                     |                |                |                | Socket | Thread |    |   |      | Socket | Thread |     |    |     |         |                                   |
| 15(1/2")            | 15             | 65             | 95             | 20     | R1/2   | 14 | 4 | 16.0 | 118    | 109    | 82  | 15 | 47  | 46      | 15                                |
| 20(3/4")            | 19             | 75             | 105            | 25     | R3/4   | 14 | 4 | 18.5 | 131    | 131    | 101 | 15 | 64  | 61      | 15                                |
| 25(1")              | 25             | 85             | 115            | 32     | R1     | 14 | 4 | 22.0 | 148    | 143    | 111 | 17 | 67  | 67      | 15                                |
| 32(1-1/4")          | 38             | 100            | 140            | 40     | R1 1/4 | 18 | 4 | 26.0 | 186    | 186    | 126 | 17 | 83  | 96      | 15                                |
| 40(1-1/2")          | 38             | 110            | 150            | 50     | R1 1/2 | 18 | 4 | 31.0 | 186    | 186    | 126 | 17 | 83  | 96      | 15                                |
| 50(2")              | 50             | 125            | 165            | 63     | R2     | 18 | 4 | 37.5 | 197    | 197    | 152 | 20 | 102 | 113     | 15                                |
| 65(2-1/2")          | 65             | 145            | 185            | 75     | R2 1/2 | 18 | 4 | 43.5 | 224    | 224    | 190 | 20 | 140 | 150     | 10                                |
| 80(3")              | 78             | 160            | 200            | 90     | R3     | 18 | 8 | 51.0 | 276    | 276    | 230 | 20 | 165 | 184     | 10                                |
| 100(4")             | 85             | 180            | 220            | 110    | R4     | 18 | 8 | 61.0 | 362    | 362    | 274 | 22 | 172 | 199     | 10                                |

The dimension table is calculably based on PVC material.

The value of tes pressure is calculably based on PVC PVDF materials.

The value of test Pressure for PP material is 70% based on this table.